

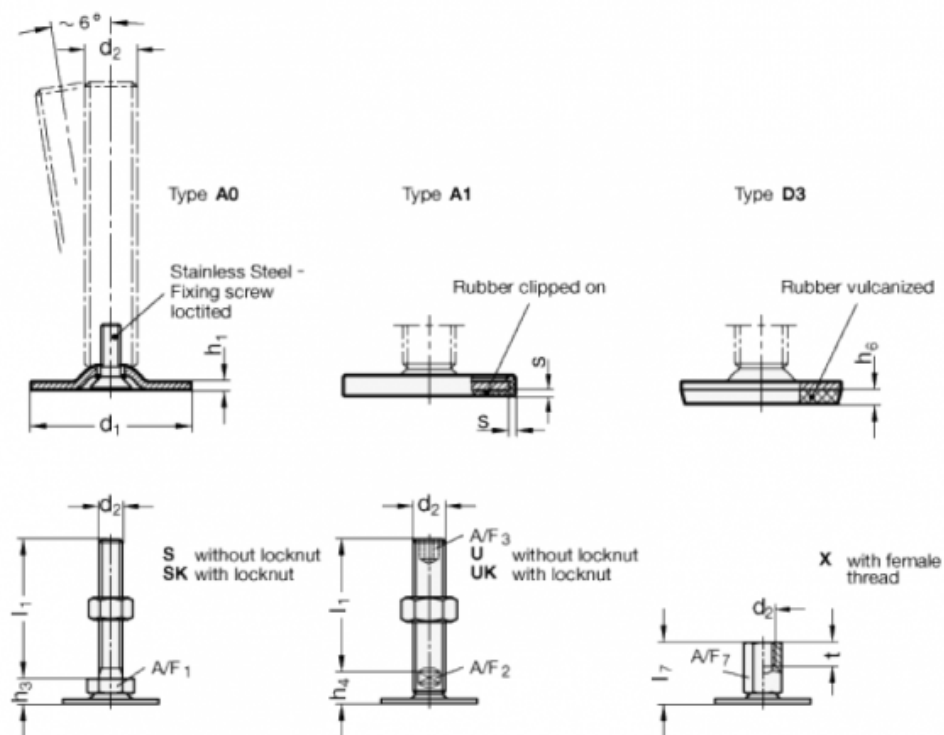
Article number: 204060M1637A1X

Description: E+G levelling foot

GN 40-60-M16-37-A1-X

Note: X With female thread, External hexagon

## Measures



A/F7	=	22
d1	=	60
d2	=	M16
h1	=	2.5
h6	=	
h7	=	37
s	=	2
t	=	16